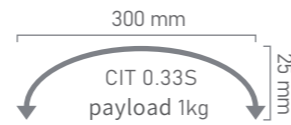


Model D4-401S

Operating range Arm length 400mm Joint#3 stroke 130mm

Payload Rated 1kg/Maximum 4kg

Standard cycle time 0.33 sec



Cycle time based on round-trip arch motion (300mm horizontal, 25mm vertical) with 2kg payload (path coordinates optimized for maximum speed)

Repeatability $\pm 0.01\text{mm}$ $\pm 0.01\text{mm}$ $\pm 0.01^\circ$
 Joint #1,#2 Joint #3 Joint #4

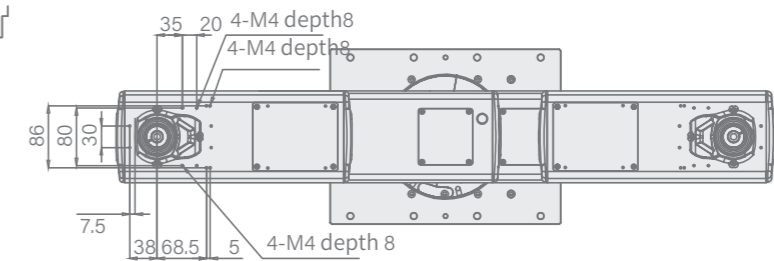
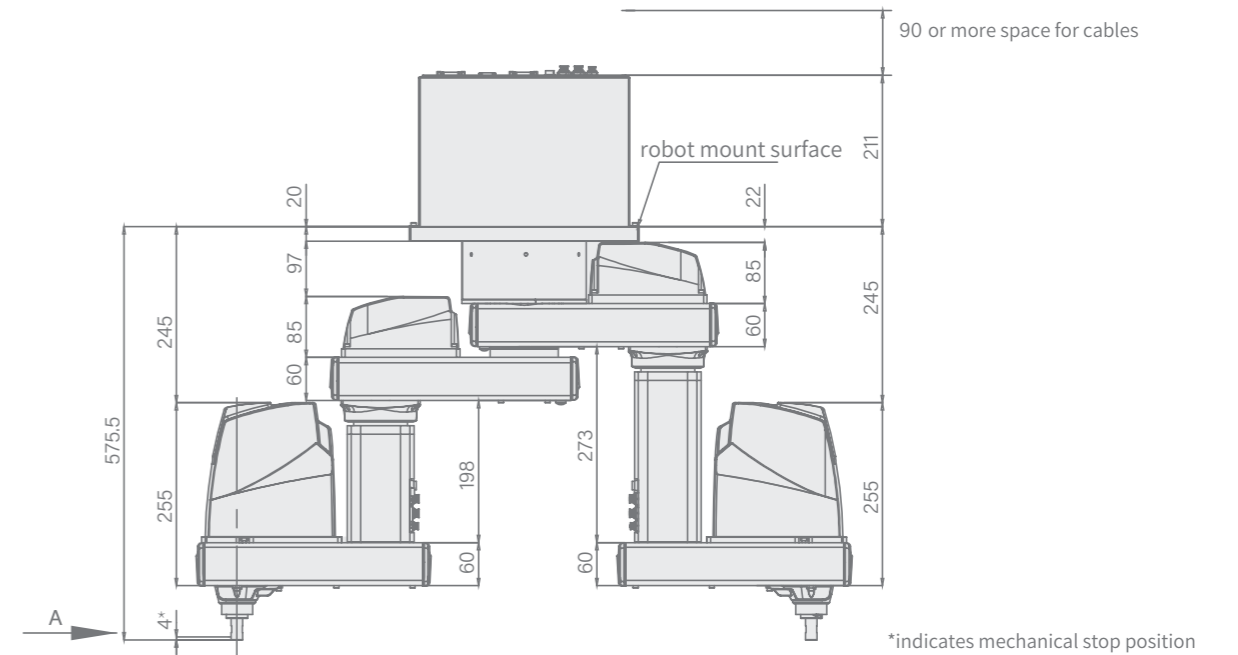
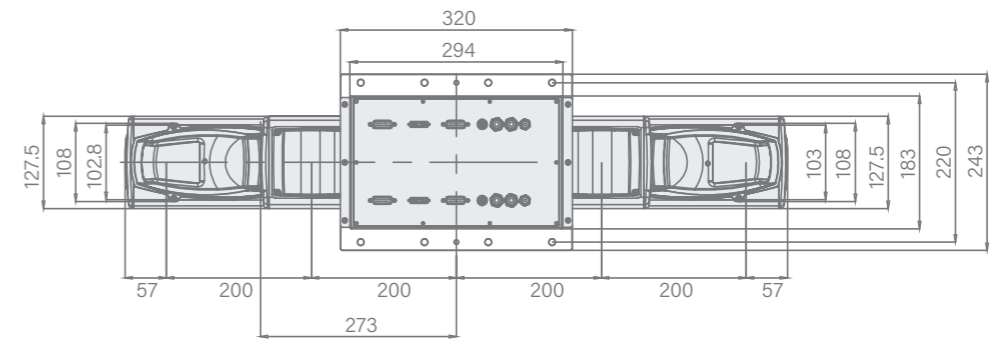
Parameters of each axis

Joint Content	#1\#5	#2	#3	#4
MAX Operating Speed	6237 mm/s	6237 mm/s	1100 mm/s	2600°/s
MAX Motion Range	$\pm 225^\circ$	$\pm 225^\circ$	130mm	$\pm 720^\circ$
Motor Power Consumption	400W\750W	400W	100W	100W
Joint#3 down force			150N	
Weight	50kg (cables not included)			

Joint #4 allowable moment of inertia, rate 0.005kg·m², maximum 0.05kg·m²

Electrical parameters	Origin Return	None Need Origin Return
Installed wire for customer		15Pin (D-Sub Connector)
Installed pneumatic tube for customer use		$\phi 4\text{mm} \times 1$, $\phi 6\text{mm} \times 2$
Visual Interface		-
Installation Environment		Standerd/Clean (Customized)

Outer Dimensions and Motion Range



Detailed view from A

